

## Introduction

The 'Irrigators' are a close-coupled version of the well known TKL Hydro-Titan™ pump models 100x65-200, 100x65-250, 125x80-200 and 125x80-250, with the choice of 30, 37, 45 and 55 kW TEFC 2950 r/min electric motors.

These motor pumps offer optimum performance in the 15 to 60 litres/second flow range with heads to 95 metres.

The 'Irrigators' are Australian designed and built specifically for powering Travelling Irrigators and Fixed Spray Line plant.

Being made for the purpose, results in a power saving harmony between Irrigation plant and Pump along with stress free smooth operation.

The pumps conform to the international standard ISO2858, which has been adopted by leading pump manufacturers throughout the world.

## Product Features

### LOWER INSTALLED POWER

The performance characteristic of these pumps allows minimum installed power to be used.

This is achieved by a combination of factors including Curve shape, Efficiency and Duty point design.

In many cases your irrigator will operate with only 37 kW instead of 45 kW required by others.

### SPACE SAVING

Big pump performance in limited space. The same performance and reliability associated with the TKL Hydro-Titan™ pump range.

### MECHANICAL SEAL

Ceramic stationary seat and carbon rotating face with a stainless steel Buna 'N' rubber trim is standard. Variations to this seal can be supplied.

### NO ADJUSTMENTS

Normal pump adjustments such as coupling alignment and gland tightening are not required.

### STANDARD ELECTRIC MOTOR

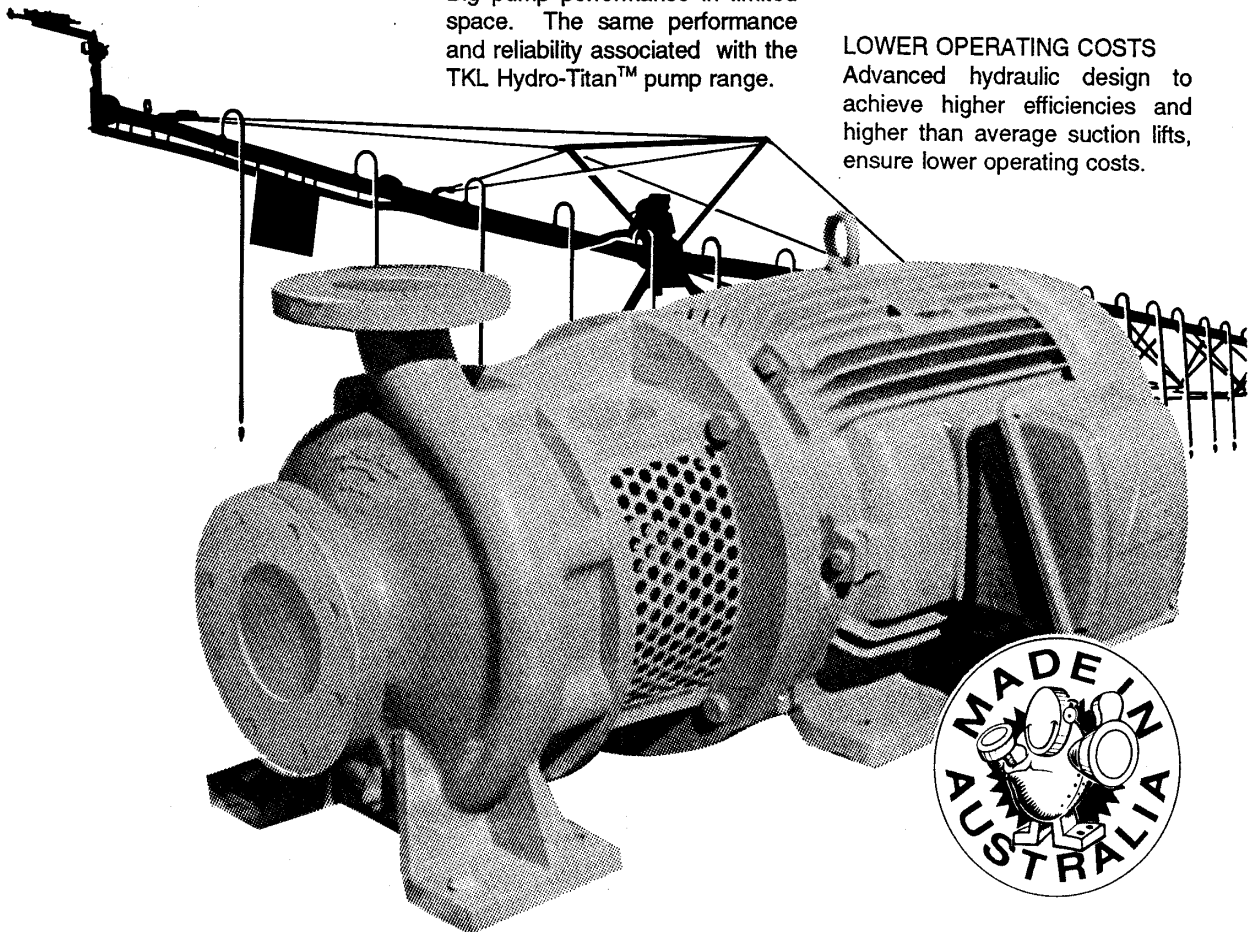
A unique stub shaft design allows the use of standard electric foot/flange mounted TEFC motors.

### EASE OF MAINTENANCE

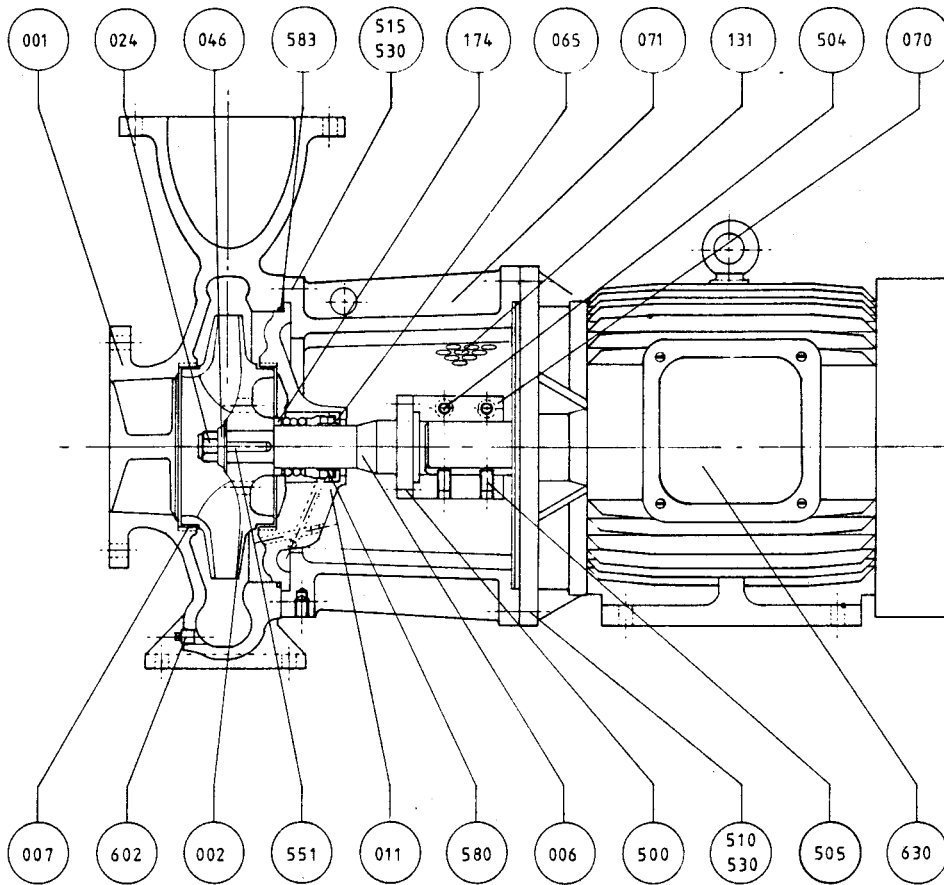
The well proven back pull-out feature leaves the casing and pipework undisturbed during maintenance.

### LOWER OPERATING COSTS

Advanced hydraulic design to achieve higher efficiencies and higher than average suction lifts, ensure lower operating costs.



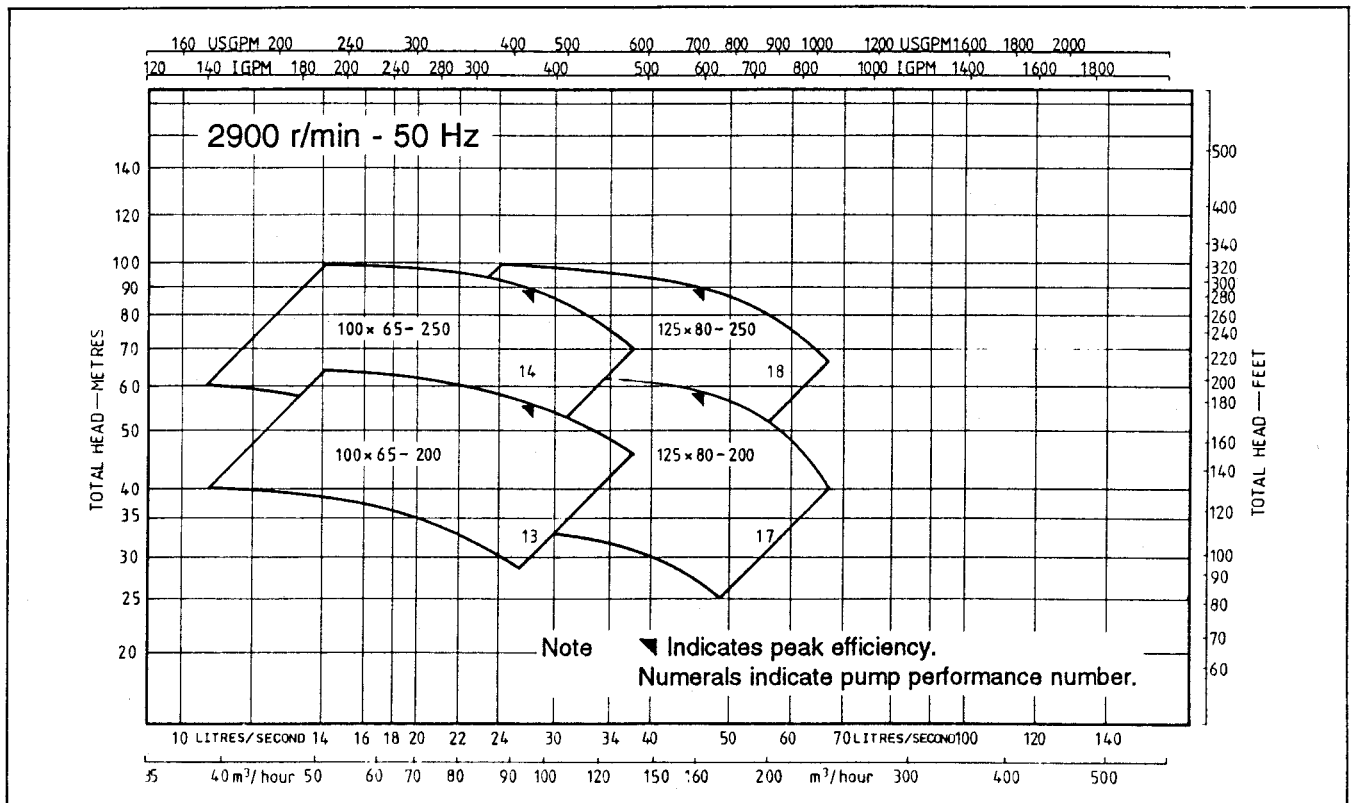
# Pump Construction



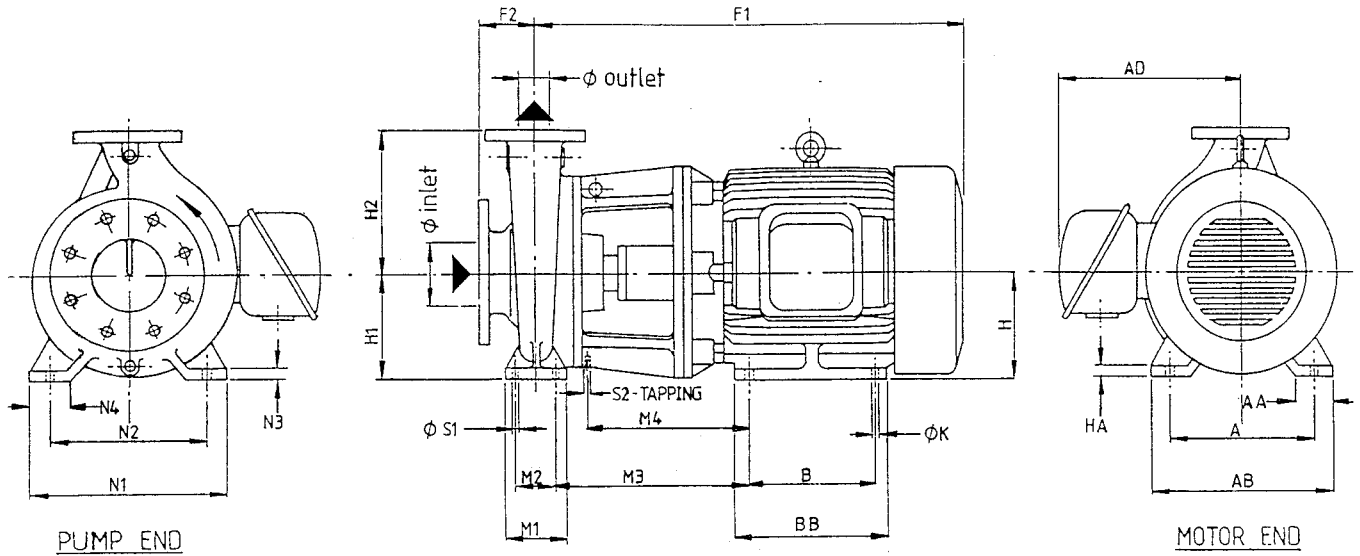
- 001 Casing
- 002 Impeller
- 006 Stub Shaft
- \*007 Casing Ring (optional)
- 011 Back Cover
- 024 Impeller Nut
- 046 Impeller Washer
- 065 Seat Element
- 070 Coupling
- 071 Adaptor
- 131 Guard
- 174 Spacer
- 500 Hex Hd Setscrew
- 504 Soc. Hd Capscrew
- 505 Soc. Setscrew
- 510 Hex Hd Bolt
- 515 Stud (Casing)
- 530 Hex Nut
- 551 Key (Impeller)
- \*580 Mechanical Seal
- \*583 'O' Ring
- 602 Drain Plug
- 630 Electric Motor

\* Recommended Spares

# Selection Guide



# Pump Dimensions



Pump and Motor Dimensions — 2900 r/min

PUMP NO	PUMP SIZE			PUMPSET DESIGNATION	A	AA	AB	AD	B	BB	F1	F2	H	HA	H1	H2	K	M1	M2	M3	M4	N1	N2
	I N L E T	O U T L E T	I M P D I A																				
13	100	65	200	HTK013-30/2								100			180	225		125	95	361		320	250
14	100	65	250	HTK014-30/2	318	80	400	336	305	365	934		200	25				125	95	361		320	250
14	100	65	250	HTK014-37/2											200			160	120	349	308	360	
14	100	65	250	HTK014-45/2	356	90	450	379	311	375	972		225	30		250				365	324		280
17	125	80	200	HTK017-30/2											180		19	125	95	361		345	
17	125	80	200	HTK017-37/2	318	80	400	336	305	365	934	125	200	25							308		
18	125	80	250	HTK018-30/2														160	120	349		400	315
18	125	80	250	HTK018-37/2											225	280							
18	125	80	250	HTK018-45/2	356	90	450	379	311	375	972		225	30						365	324		
18	125	80	250	HTK018-55/2	406	100	500	490		385	1052		250	36			24			422	381		

Pump and Motor Dimensions  
2900 r/min

PUMP NO	PUMP SIZE			PUMPSET DESIGNATION	N3	N4	S1	S2	Kg	MOTOR FRAME
	I N L E T	O U T L E T	I M P D I A							
13	100	65	200	HTK013-30/2	20	65	14		412	0200LD
14	100	65	250	HTK014-30/2					418	0200LD
14	100	65	250	HTK014-37/2	21	80	18		418	0200LD
14	100	65	250	HTK014-45/2					486	0225MD
17	125	80	200	HTK017-30/2	20	65	14	M16	422	0200LD
17	125	80	200	HTK017-37/2					422	0200LD
18	125	80	250	HTK018-30/2					430	0200LD
18	125	80	250	HTK018-37/2	23	80	18		430	0200LD
18	125	80	250	HTK018-45/2					498	0225MD
18	125	80	250	HTK018-55/2					665	0250SD

- Dimensions are in millimetres
- 8 - Discharge positions at 45°
- Dimensions refer to "TECO" motors only
- For 'TAC' and 'W.E' motor dimensions refer to Sales Office.
- For flange dimensions refer to data sheet Hydro-Titan - 3.4

Thompsons, Kelly & Lewis Pty. Ltd.  
A.C.N. 004 249 012  
26 Faigh Street Mulgrave Victoria 3170  
PO Box 160 Springvale Vic 3171 Australia  
Tel 03 9562 0744 Fax 03 9562 2816

AUSTRALIA  
Sydney 02 9748 6386  
Melbourne 03 9562 0744  
Brisbane 07 3277 9511  
Adelaide 08 8260 0600  
Perth 08 9451 6600  
NEW ZEALAND  
Auckland 09 579 6019  
Hamilton 07 849 4248  
Christchurch 03 338 0956  
SINGAPORE 348 6988

TM-Trademark owned by Thompsons, Kelly & Lewis Pty. Ltd.

Alteration Rights Reserved  
HT Irrigator/1.3 October 1998