

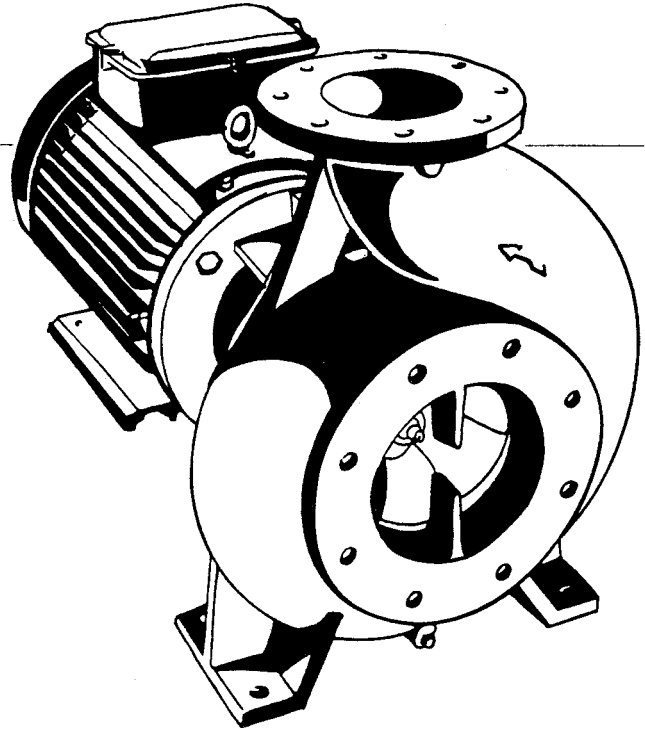


**Thompsons
Kelly & Lewis**

Quality

COMPACT

KL-ISO™ 2858 Close Coupled Pumps



PUMP TYPE

The COMPACT is the close-coupled version of the international range of KL-ISO centrifugal pumps, recognised as the most versatile pump range in many parts of the world today.

As the name suggests, it combines compactness with maximum performance for a wide variety of applications, offering all the benefits incorporated in the well-known KL-ISO design.

The COMPACT is built to ISO2858, which is the only recognised international standard relating to end suction centrifugal pumps.

The pumps are manufactured to stringent quality control standards ensuring total reliability and economic prices. TKL quality assurance complies with AS/NZS ISO 9001 : 1994

PUMP RANGE

Sizes/Discharge	32 – 150 mm
Flow Rate	to 140 L/s
Total Head	to 130 m
Working Pressure	to 1600 kPa
Temperature	-20 to +120°C
Power Range	1.1 to 55 kW

MATERIALS

The standard pump has a Cast Iron casing and impeller with a Stainless Steel shaft. Alternative materials available are: Bronze and All Iron construction to handle the most demanding of your pumping requirements.

PUMP FEATURES

SPACE SAVING: Where space is limited, the COMPACT is the answer to your pumping needs. Suited to mechanical services, industrial and rural situations.

EASE OF MAINTENANCE: With the back pull-out feature, maintenance and overhaul times can be reduced dramatically. The back pull-out feature allows the casing, pipework and lagging to remain undisturbed, while the complete rotating element is removed.

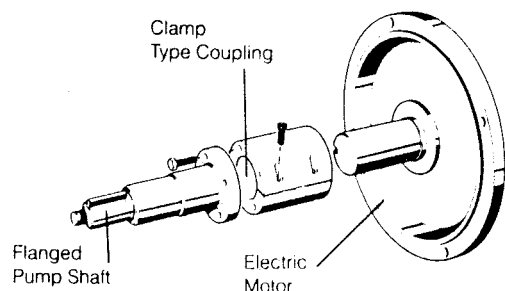
NO ADJUSTMENTS: Normal adjustments, such as coupling alignment and gland tune have been eliminated.

STANDARD ELECTRIC MOTOR: The COMPACT features a stub shaft design which enables the pumps to be driven by a standard 'off-the-shelf', flange/foot mounted TEFC motor.

LOWER OPERATING COSTS: The COMPACT has been hydraulically designed to achieve higher efficiencies than ever before and as a result the pump's operating costs are greatly reduced.

SERVICE ADVANTAGE

A unique stub shaft design combined with a clamp type motor coupling provides instant motor exchange, if necessary, by an 'off-the-shelf' unit from any motor manufacturer.





FEWER SPARE PARTS: A high level of component standardisation in the COMPACT means that spare parts stock holding can be reduced drastically.

COMPETITIVE PRICE: Since the COMPACT incorporates a wetted end, adopted from the international KL-ISO, the pump can be offered at a very competitive price.

STUB SHAFT DESIGN: The COMPACT incorporates a stub shaft design eliminating the need for using special electric motors.

MECHANICAL SEAL: The COMPACT is fitted, as standard, with a high grade mechanical seal. This seal features a ceramic stationary seat and a carbon rotating face with stainless steel and buna rubber trim. Variations to this seal can be supplied on request for special liquids and conditions.

OPTIONAL EXTRAS

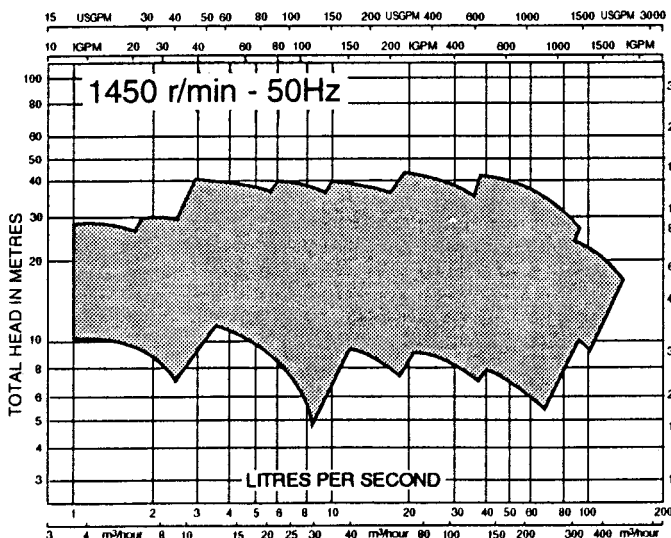
Wear rings, ANSI flanges, Gauge tappings, External flush, Shaft and bolting in AISI316 stainless steel.

APPLICATIONS

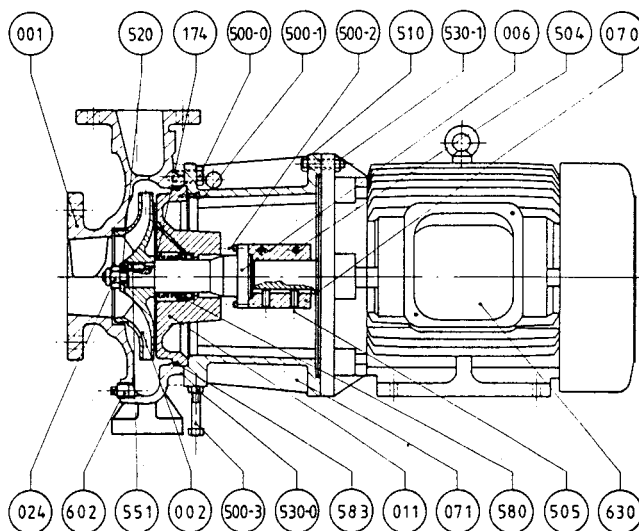
COMPACT pumps are operating in many diversified general industrial, municipal, rural and mechanical services installations, handling applications such as:

- Airconditioning • Irrigation • Domestic Water Supply
- Transferring • Mineral Treatment • Process Services.

RANGE CHARTS

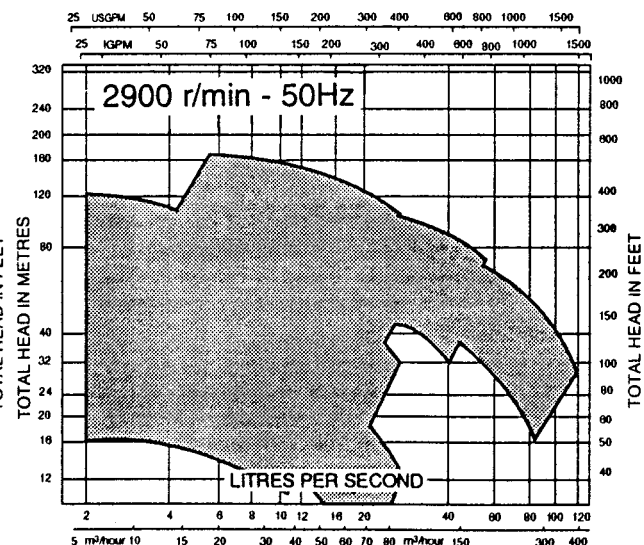


PUMP SECTION



PARTS

001	Casing	504	Socket Head Capscrew
002	Impeller	505	Socket Setscrew
006	Stub Shaft	510	Hex.Head Bolt
011	Backcover	520	Washer (Impeller)
024	Impeller Nut	530-0	Hex.Nut
070	Coupling	530-1	Hex.Nut
071	Adaptor	551	Key (Impeller)
174	Spacer	580	Mechanical Seal
500-0	Hex.Head Setscrew	583	O-Ring
500-1	Hex.Head Setscrew	602	Drain Plug
500-2	Hex.Head Setscrew	630	Electric Motor
500-3	Hex.Head Setscrew		



Thompsons, Kelly & Lewis Pty. Ltd.
A.C.N. 004 249 012
26 Faigh Street Mulgrave Victoria 3170
PO Box 160 Springvale Vic 3171 Australia
Tel 03 9562 0744 Fax 03 9562 2816

AUSTRALIA
Sydney 02 9748 6386
Melbourne 03 9562 0744
Brisbane 07 3277 9511
Adelaide 08 8260 0600
Perth 08 9451 6600
NEW ZEALAND
Auckland 09 579 6019
Hamilton 07 849 4248
Christchurch 03 338 0956
SINGAPORE 348 6988

TM-Trademark owned by Thompsons, Kelly & Lewis Pty. Ltd.

Alteration Rights Reserved
Compact/1.2 October 1998